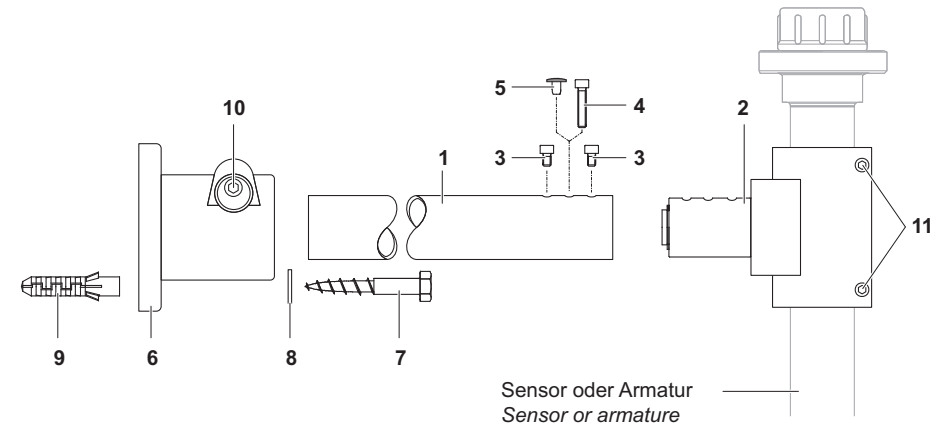




Installation manual

Materials	Pos.	Designation	Material
	1	Outrigger	V2A Stainless steel 1.4301
	2	Pendulum head	POM
	3	Cap screw M5 x 8	V2A Stainless steel 1.4301
	4	Cap screw M5 x 25	V2A Stainless steel 1.4301
	5	Plug	PE
	6	Support	Aluminum die-cast
	7	Wood screw 8 x 60	V2A Stainless steel 1.4301
	8	Washer 8.4	V2A Stainless steel 1.4301
	9	Dowel	PE
	10	Attachment screw M8 x 35	V2A Stainless steel 1.4301
	11	Cap screw M5 x 25	V2A Stainless steel 1.4301

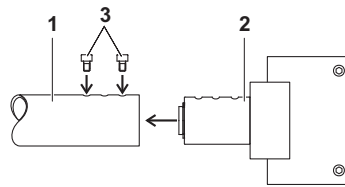
EH/W 170



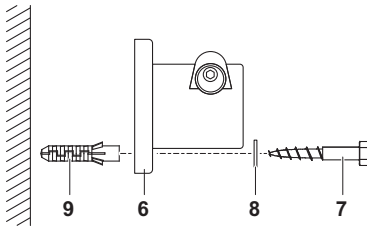
Sensor fixture assembly

1725 Brannum Lane
 Yellow Springs, Ohio 45387 USA
 +1 937-767-7241
 800-765-4974 (US)
 FAX (937) 767-1058
 Email: environmental@ysi.com
 Internet: www.ysi.com

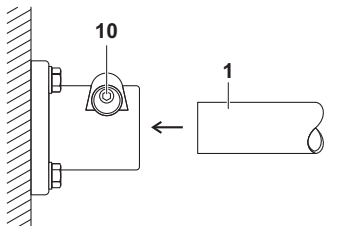
1 Assembly



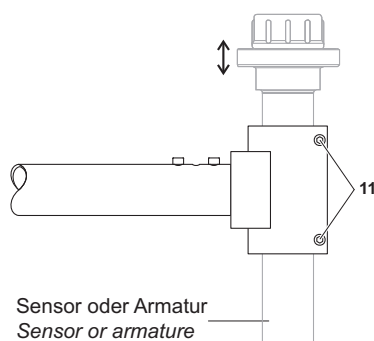
- Insert the pendulum head (2) in the outrigger (1) and fix it with the two screws (3).



- Fix the support (6) to the wall with the four screws (7), washers (8) and dowels (9).



- Insert the outrigger (1) in the support and fasten it with the attachment screw (10).



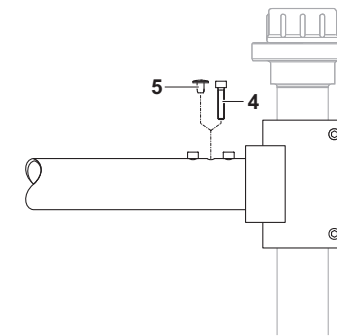
- Mount the sensor (or armature):**
- Push the sensor through the pendulum head.
 - Bring the sensor into the required radial and axial position and fix it with the screws (11).

Sensor oder Armatur
Sensor or armature



Note

We recommend to use a long (approx. 1.3 m) armature with the pendulous installation. Otherwise pay attention to a possible top-heaviness!



Fixed installation:

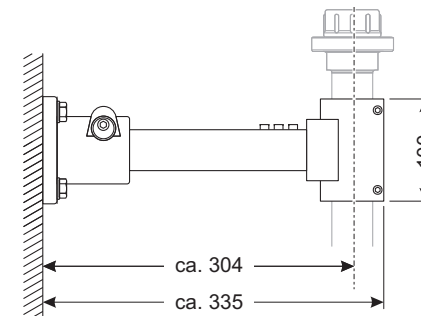
- Fix the axis of the pendulum head with the screw (4).

Pendulous installation:

- Close the center boring of the outrigger pipe with the plug (5).

2 Technical Data

Dimensional drawing



(Dimensions in mm)